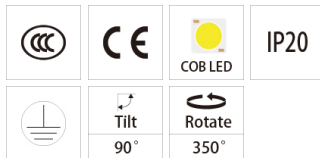
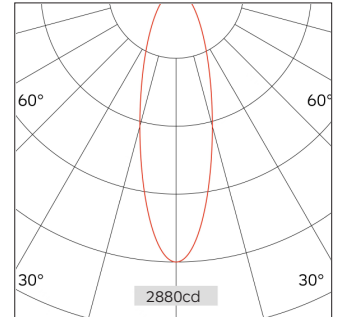
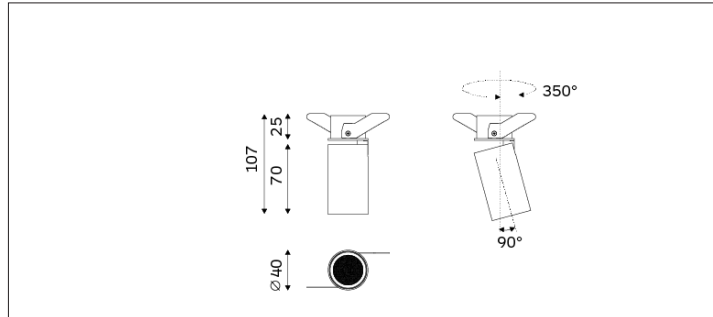


# 56.03711 NOVAL Semi-recessed Downlight



Light Distribution	Semi-recessed Downlight
Colour Temperature	2700/3000/3500/4000K
Colour Rendition Index	CRI 90
Optics	LENS
Beam Angle	16D/20D/35D
Cut Out	37mm
Connected Load	6W
Luminous Flux Of The Luminaire	449lm
Luminaire Efficacy	70m/W
Colour Deviation	SDCM <5
Light Source	LED
LED Type	SMD
Dimming Method	Triac/1-10V/ Dali
Cover Material	Aluminum
Body Material	Aluminum
IP Rating	IP20
Housing Colour	Sandy White/ Sandy Black
Weight	0.25Kg
Technical Region	220-240V 50/60Hz

Light Beam Talbe		
h(m)	E(lx)	D(m)
		20°
1.0	2880	0.36
2.0	720	0.72
3.0	320	1.08
4.0	180	1.45
5.0	115	1.81

Mainly for spaces with restricted floor heights, such as clothing shops, furniture shops and other brand boutiques, car displays, jewelry, star hotels, high-end clubs, museums, chain stores, brand sales halls, professional windows, counters and other accent lighting places.